

Description

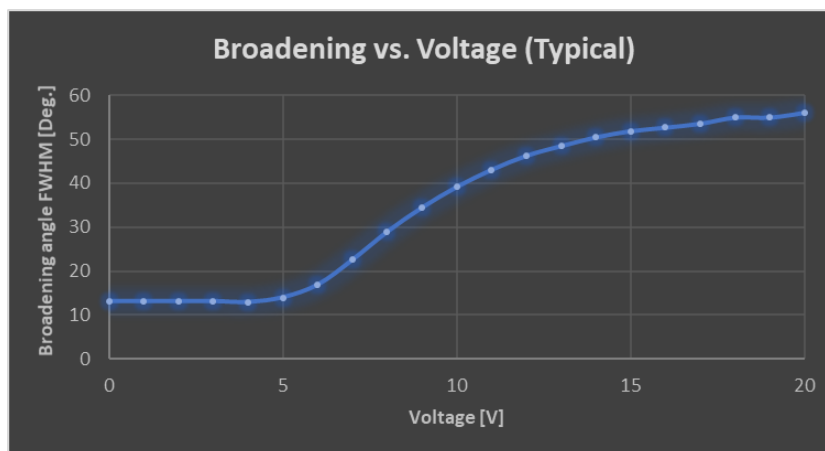
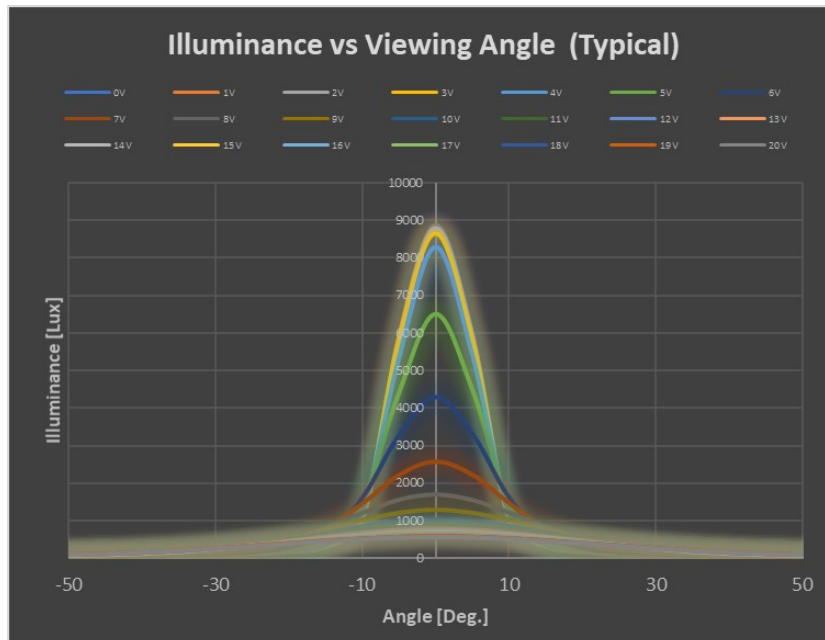
LensVector's LV-S3 series products allow Lamp and Luminaire manufacturers to incorporate "Dynamic spatial control" into their directional and downlighting products. These products allow continuous control of beam shape from 10° to 52°. Minimum beam angles are defined by customers' fixed collimation optics.

LensVector supports manufacturers' integration efforts with driver reference designs, drivers, PCBs and software reference designs.

Products covered by US & International Patents listed at lensvector.com/about/patents/



Performance Graphs

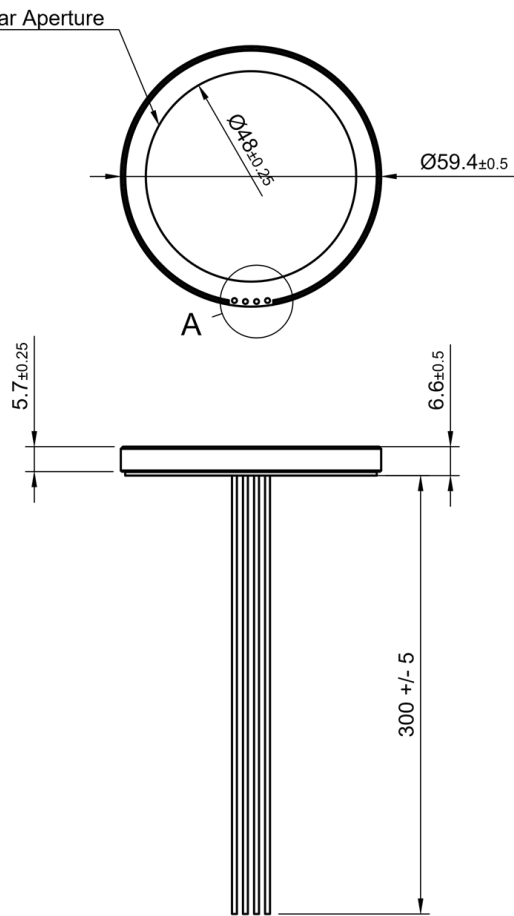


Product Data Sheet : LV-S3-48003-P Dynamic Lens Assembly

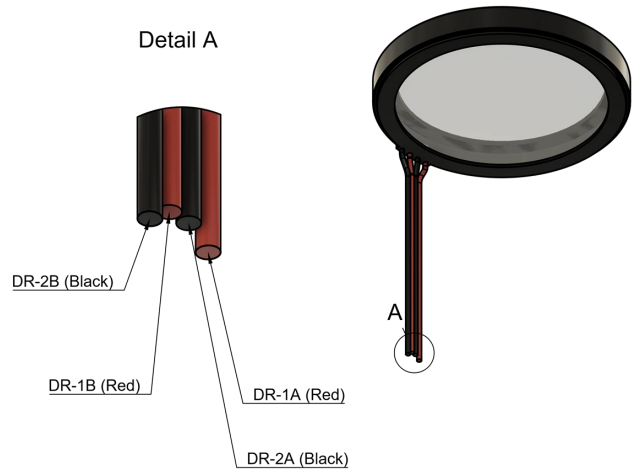
6203 San Ignacio Ave. , San Jose CA 95119 +1 (669) 247-5095

© 2017 LensVector Inc., All rights reserved : Lens Vector Confidential

Dimensions



Pinout

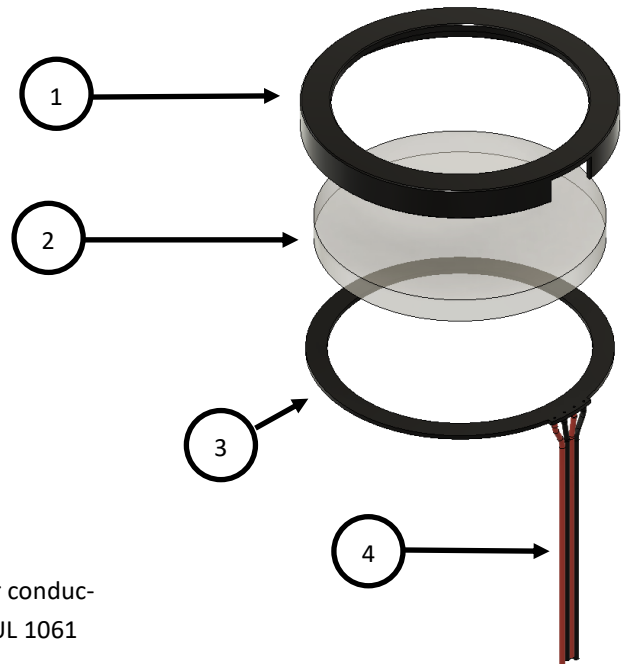


Normal Operating Conditions

Indoor use only -20° to 50° C, less than 100% RH

Exploded View and Material Callout

Part	Description	Material
1	Cover, Injection Molded	Polymer, Black, UL V-0
2	Lens	Soda Lime Glass
3	PCB	Black, FR4
4	Wire	#24 AWG, Stranded copper conductor, UL 10362, UL 3132 or UL 1061



Product Data Sheet : LV-S3-48003-P Dynamic Lens Assembly

6203 San Ignacio Ave. , San Jose CA 95119 +1 (669) 247-5095

© 2017 LensVector Inc., All rights reserved : Lens Vector Confidential