

M2M Series: Dynamic Beam Shaping Lenses Product Datasheet

Description

LensVector's Dynamic Beam Shaping lenses deliver virtually infinite beam control allowing designers to create scenes and manage environments on-demand without mechanical systems, without ladders, without replacement optics, and without replacement lamps. LensVector lenses work perfectly with conventional or wireless control systems. From very narrow spots to wide flood, or something in between, LensVector's Dynamic Beam Shaping lenses give you more control than ever before.

M2M series lenses enable Dynamic Beam Shaping from as narrow as 5° and as wide as 55°.



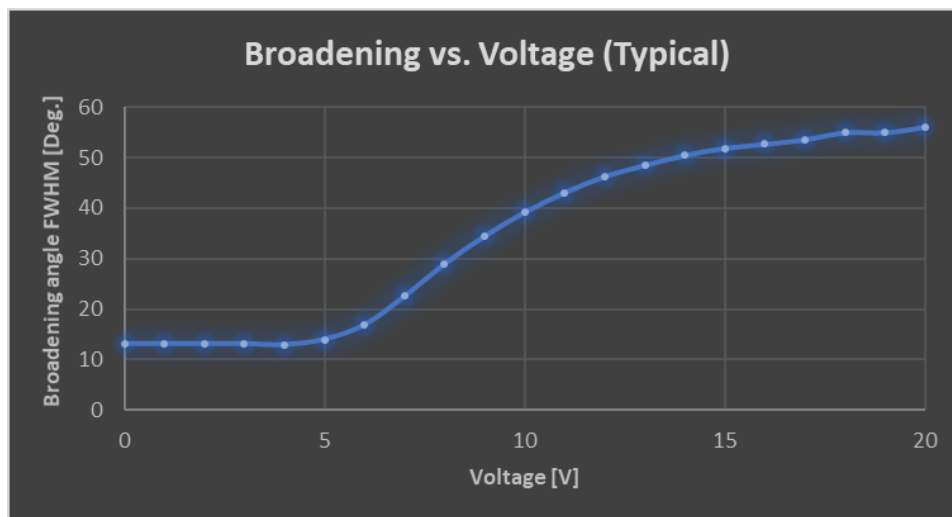
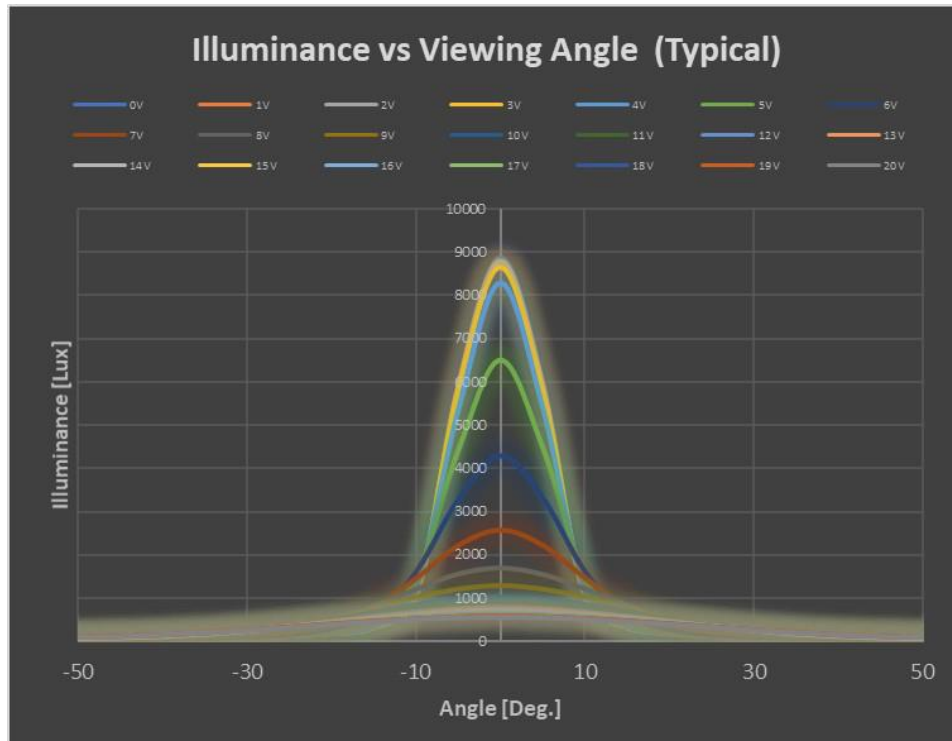
LensVector supports integration efforts with driver reference designs, sample drivers, PCBs and software reference designs. Contact LensVector for third party suppliers of drivers, collimating optics, LEDs and software solutions that enable customer designs.

M2M Series

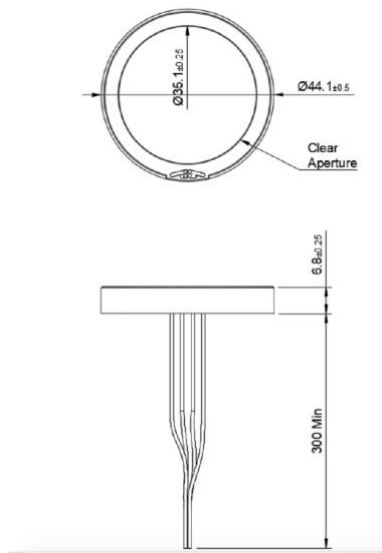
Part Number	Clear Aperture	Dynamic Beam Shaping Minimum / Maximum
LV-M2M-35003-P	35.1 mm	5° to 55°
LV-M2M-48003-P	48.0 mm	5° to 55°
LV-M2M-65003-P	65.1 mm	5° to 55°

Performance Graphs

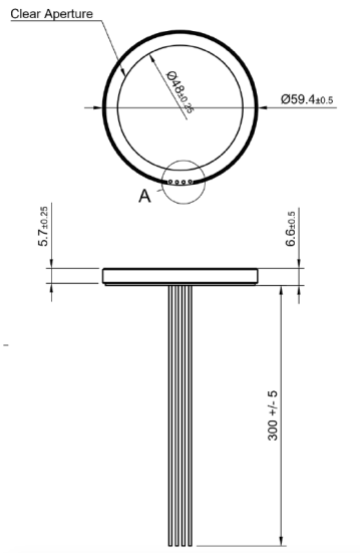
The following performance graphs apply to all M2M series lenses.



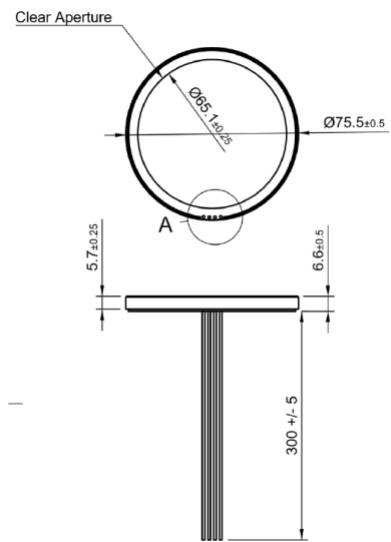
Dimensions



LV-M2M-35003-P

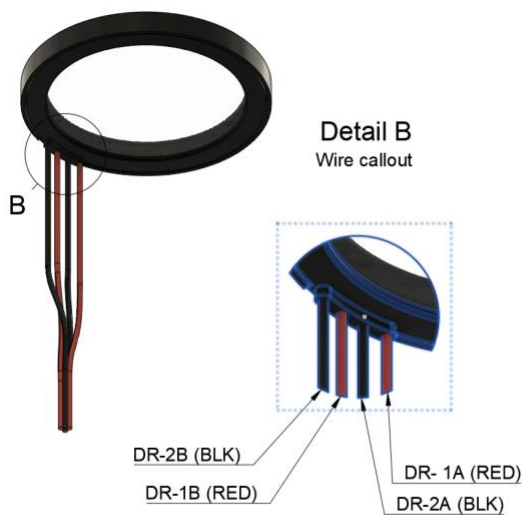


LV-M2M-48003-P



LV-M2M-65003-P

Pinout



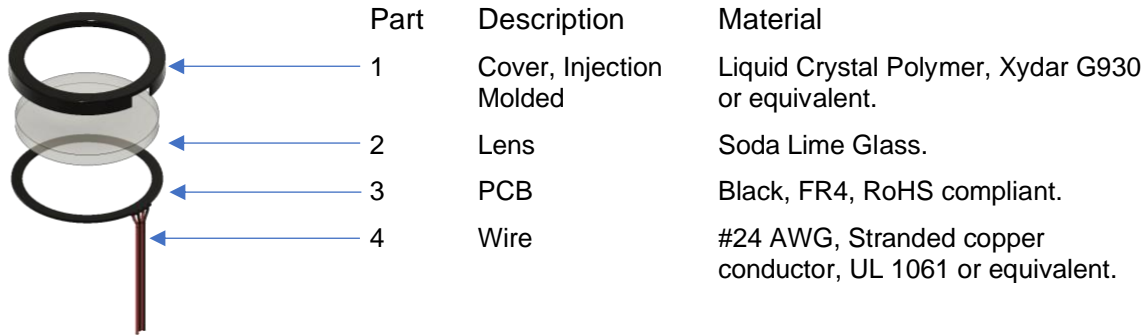
The LVBS is sensitive only to the AC components of the differential voltages (DR_1A - DR_1B) and (DR_2A - DR_2B). So, DR_1A can be swapped with DR_1B, and DR_2A can be swapped with DR_2B, without affecting the behavior of the lens.

LENSVECTOR™

Normal Operating Conditions

Indoor Use Only -20° to 50° C, less than 100% RH

Exploded View and Material Callout



Compliance



About LensVector

LensVector is transforming the shape of light from fixed reflectors and lenses with digital liquid crystal technology that allows light to be infinitely shaped on demand from IoT platforms, mobile devices, and modern control systems. LensVector's innovative Dynamic Beam Shaping technology has been recognized with a 2018 Sapphire Award and as a Top Ten Innovation at the 2018 Light + Building Conference and Exhibition.

LensVector lenses are covered by U.S. and international patents. These patents are listed and updated at <http://lensvector.com/company/#patents>

Availability

For additional information about LensVector lenses, email sales@lensvector.com or contact any of our distribution partners for lenses and complementary components.

CDI <https://www.cdiweb.com/manufacture/lensvector/dynamic-beam-shaping-lens>